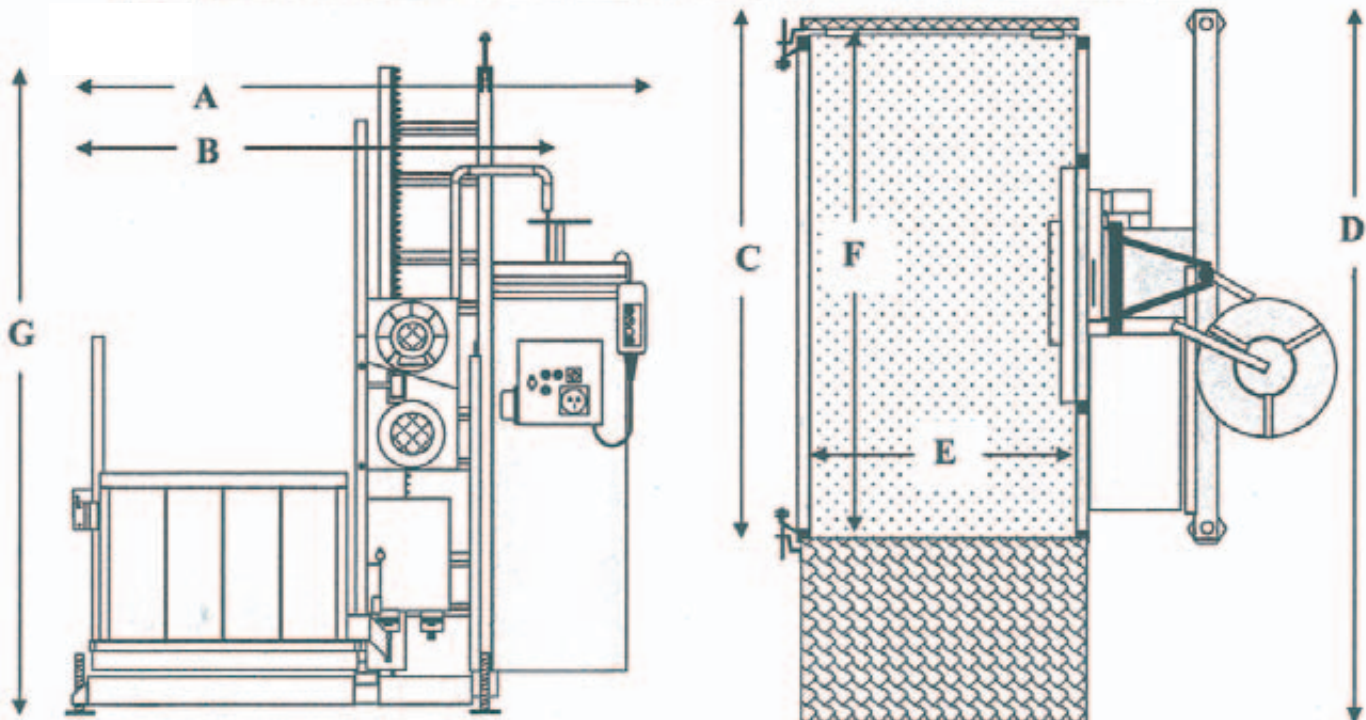




# SINGLE BARROW MATERIAL HOIST

Dimensions		Standard Ramp	Long Ramp
A	Overall Width	2100mm	2100mm
B	Penetration Width	1800mm	1800mm
C	Length	1900mm	1900mm
D	Length one ramp down	2525mm	3000mm
E	Platform width	900mm	900mm
F	Platform Length	1750mm	1750mm
G	Base Unit Height	2300mm	2300mm



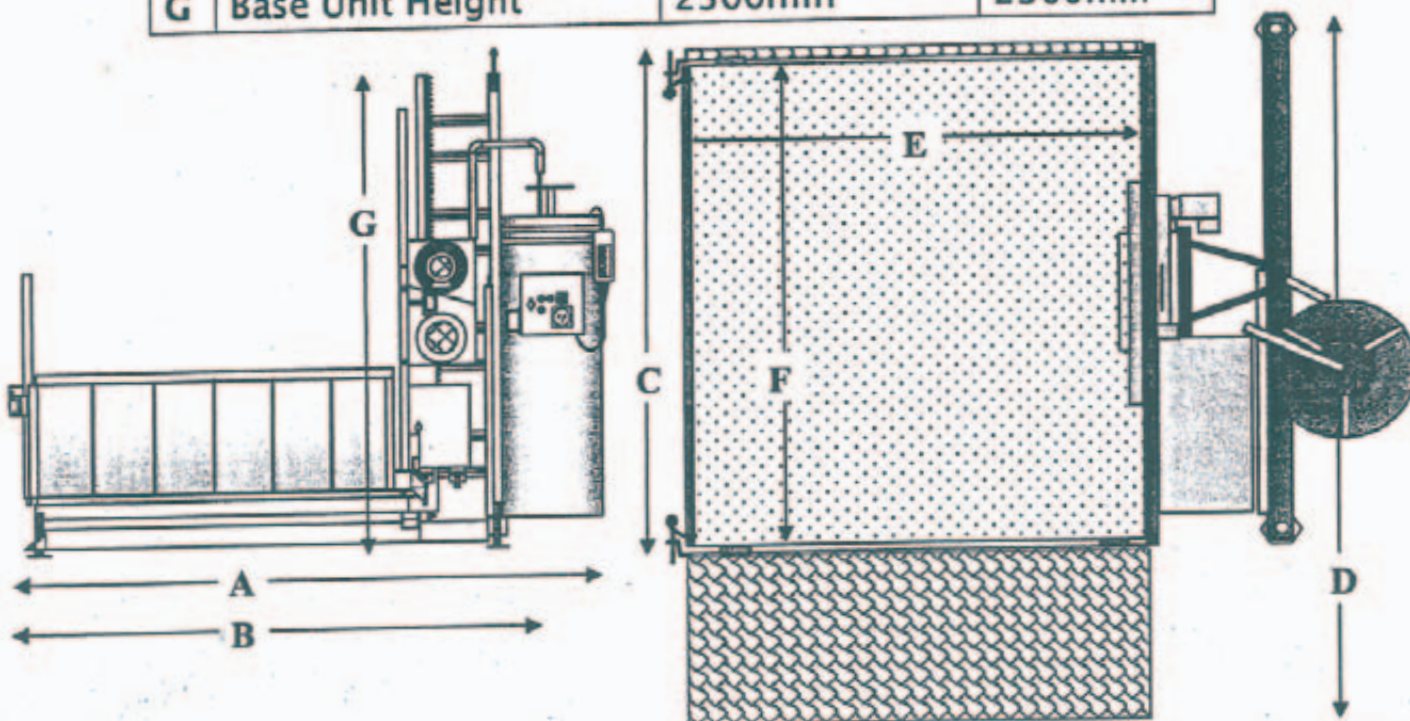
Maximum Capacity (evenly distributed)	300kg
Supply Voltage	240v 9.5A (1.5kW)
Lifting Speed	13m/min
Maximum Lifting Height	50m
Height to platform when completely lowered	300mm
Ground Bearing Area	0.25m <sup>2</sup>
Base Mass	490kg
Mast Mass (1.5m high each)	48kg each

Certificate of competency for material hoists required.  
Tafe can provide training.



## DOUBLE BARROW MATERIAL HOIST

Dimensions		Standard Ramp	Long Ramp
A	Overall Width	2750mm	2750mm
B	Penetration Width	2450mm	2450mm
C	Length	1900mm	1900mm
D	Length one ramp down	2525mm	3000mm
E	Platform width	1620mm	1620mm
F	Platform Length	1750mm	1750mm
G	Base Unit Height	2300mm	2300mm

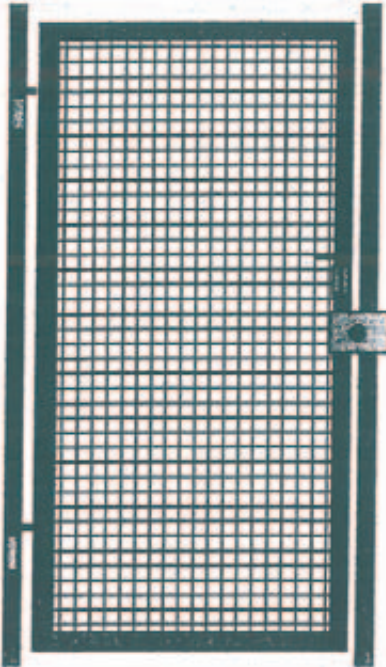


Model	240v	415v
Maximum Capacity	500kg (evenly distributed)	
Supply Voltage	240v 9.5A (1.5kW)	415v 12A (5.5kW)
Lifting Speed	9m/min	25m/min
Maximum Lifting Height	50m	100m
Height to lowered platform	300mm	
Ground Bearing Area	0.26m <sup>2</sup>	
Base Mass	550kg	660kg
Mast Mass	48kg each	

Certificate of competency for material hoists required.  
Tafe can provide training.

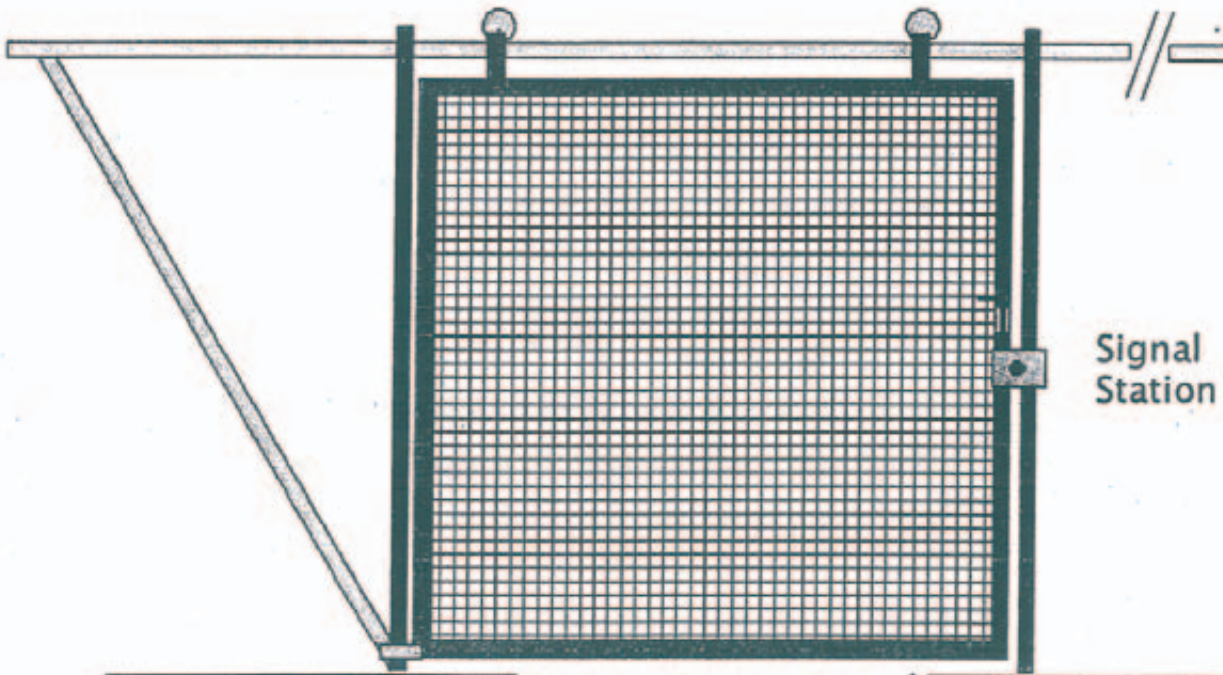
**USED ON DOUBLE & SINGLE BARROW HOIST OVER 10MTRS**

**Landing Gates: Specifications**



Swinging Single Gate

To suit Hoist type:		Single	Double
A	Height	1800mm	1800mm
B	Width	900mm	1800mm
	Swinging	Yes	Yes
	Sliding	Yes	Yes
	Mass - Sliding	23Kg	31Kg
	Mass - Swinging	18Kg	26Kg
	Mass - Signal Station	3Kg	3Kg
	Signal Station Voltage	24-42v	24-42v



Sliding Double Gate